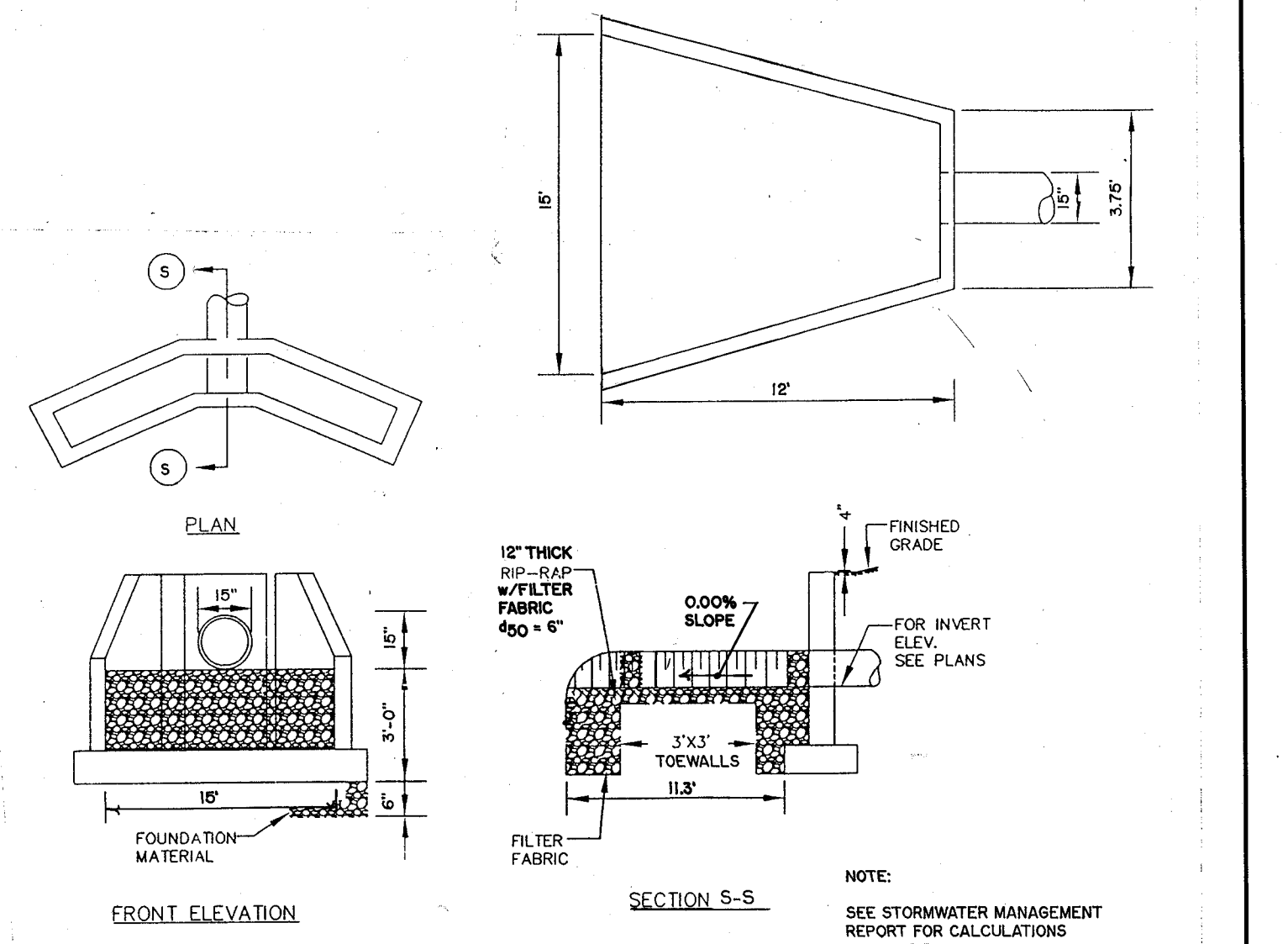


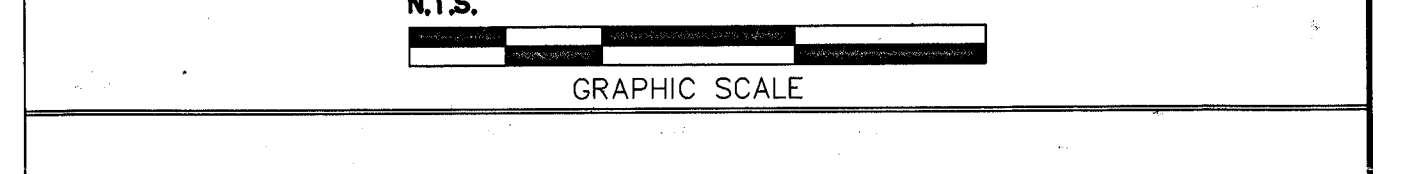
$Q = 3.8 \text{ cfs}$
 $V = \frac{Q}{A} = \frac{3.8}{15 \times 100} = 0.0025 \text{ (ft/s)}$
 $d_{50} = 0.2 \text{ (ft)}$
 $V_{c50} = 0.13 \text{ (ft/s)}$
 $V > V_{c50}$



$La = 1.8 \frac{Q}{D^2} + 7(d_50) = 11.3'$
 $W = 2(d_50) + La = 15' \text{ MIN}$
 $d_50 = 0.2 \text{ (ft)}$
 $V_{c50} = 0.13 \text{ (ft/s)}$
 $V > V_{c50}$

NOTE: ALL CONSTRUCTION DESIGN OF FOUNDATION, SUPPORT, WALL STRUCTURAL, ETC. ELEMENTS OF THIS PLANNING DESIGN TO BE ANALYZED, PREPARED, AND WITNESSED AS NECESSARY, BY A NEW JERSEY STATE LICENSED PROFESSIONAL ENGINEER.

NO.	DATE	DESCRIPTION	NO.	DATE	DESCRIPTION
33	6/1/16	CLOUDS ADDED AS PER BOARD ENGINEER'S REQUEST			
31	5/1/16	REVISED AS PER CONDITIONS OF FINAL APPROVAL			
29	1/29/16	REVISED INFILTRATOR BEDS/REDUCE INFILTRATION CHANGE OCS B & C DETAILS PER O&B'S REQUEST	27	3/1/14	REVISED FOR RE-SUBMISSION TO BCCSD
25	10/21/15	AMEND LOCATION OF SCOUR HOLE	15	1/28/14	REVISED FOR GENERAL PERMIT MODIFICATION TO NJDEP AND ADDL. MINOR REVISIONS.
14	5/15/08	REVISED AS PER PCS COMMENTS	20	7/18/10	REVISED AS PER HILLSDALE TOWN ENGINEER'S LETTER DATED 7/1/10
7	1/16/06	REVISED AS PER PCS COMMENTS	18	3/17/09	REVISED AS PER BERGEN COUNTY REQ. REQUEST
5	12/15/07	MINOR REVISIONS AS PER M&P'S REQUEST	16	8/1/08	MINOR REVISIONS PREPARING FOR FINAL SUBMISSION



DETAILS

GOLDEN ORCHARDS
AN ACTIVE ADULT COMMUNITY
LOT 1, BLOCK 506, BOROUGH OF HILLSDALE
LOT 3 & 7, BLOCK 2101, TOWNSHIP OF WASHINGTON

BERGEN COUNTY NEW JERSEY
Dwn. by V.L.D. Ord. by A.Z. Scale N.T.S. Date 8/10/07 Dwg. No. 10 of 11 Proj. No. 00-058.6

ENTECH
Engineering & Technical Resources, Inc.
Consulting Engineers Certificate # 246A27975200
535 High Mountain Road, No. Haledon, N.J. 07508 Tel. (973)636-9223

ALEX J. ZEPPONI PROFESSIONAL ENGINEER, N.J. LIC. No. 26723

NOTE: 1. DETENTION SYSTEM CHAMBERS/STRUCTURES MAY BE CAST-IN-PLACE CONCRETE, PRECAST CONCRETE OR CONCRETE BLOCK. STRUCTURAL DESIGN, SIGNING AND SEALED BY A LICENSED PROFESSIONAL ENGINEER, SHALL BE SUBMITTED BY THE CONTRACTOR AS A SHOP DRAWING FOR REVIEW BY THE ENGINEER.
2. MINIMUM 8" THICK COMPACTED CRUSHED STONE BENEATH BASE SLAB OF ALL DETENTION SYSTEM CHAMBERS/STRUCTURES.